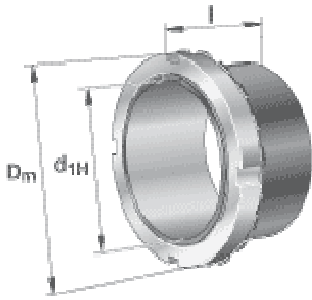


# Manchons de serrage H23

dimensions principales selon DIN 5415, cône 1:12



	<b>d<sub>1H</sub></b> mm	<b>D<sub>m</sub></b> mm	<b>l</b> mm
<a href="#">H2304</a>	17	32	31
<a href="#">H2305X012</a>	19,05	38	35
<a href="#">H2305</a>	20	38	35
<a href="#">H2306X014</a>	22,225	45	38
<a href="#">H2306X015</a>	23,813	45	38
<a href="#">H2306</a>	25	45	38
<a href="#">H2306X100</a>	25,4	45	38
<a href="#">H2307X102</a>	28,575	52	43
<a href="#">H2307</a>	30	52	43
<a href="#">H2307X103</a>	30,162	52	43
<a href="#">H2308X104</a>	31,75	58	46
<a href="#">H2308X105</a>	33,338	58	46
<a href="#">H2308X106</a>	34,925	58	46
<a href="#">H2308</a>	35	58	46
<a href="#">H2309X107</a>	36,513	65	50
<a href="#">H2309X108</a>	38,1	65	50
<a href="#">H2309X109</a>	39,688	65	50
<a href="#">H2309</a>	40	65	50
<a href="#">H2310X110</a>	41,275	70	55
<a href="#">H2310X111</a>	42,863	70	55
	<b>d<sub>1H</sub></b> mm	<b>D<sub>m</sub></b> mm	<b>l</b> mm
<a href="#">H2310X112</a>	44,45	70	55
<a href="#">H2310</a>	45	70	55
<a href="#">H2311X114</a>	47,625	75	59
<a href="#">H2311X115</a>	49,213	75	59
<a href="#">H2311</a>	50	75	59
<a href="#">H2311X200</a>	50,8	75	59
<a href="#">H2312X202</a>	53,975	80	62
<a href="#">H2312</a>	55	80	62
<a href="#">H2313X203</a>	55,563	85	65
<a href="#">H2313X204</a>	57,15	85	65
<a href="#">H2313</a>	60	85	65
<a href="#">H2314</a>	60	92	68
<a href="#">H2313X206</a>	60,325	85	65
<a href="#">H2315X207</a>	61,913	98	73

<a href="#">H2315X208</a>	63,5	98	73
<a href="#">H2315</a>	65	98	73
<a href="#">H2315X210</a>	66,675	98	73
<a href="#">H2316X211</a>	68,263	105	78
<a href="#">H2316X212</a>	69,85	105	78
<a href="#">H2316</a>	70	105	78
	<b>d<sub>1H</sub></b> mm	<b>D<sub>m</sub></b> mm	<b>l</b> mm
<a href="#">H2316X214</a>	73,025	105	78
<a href="#">H2317X215</a>	74,612	110	82
<a href="#">H2317</a>	75	110	82
<a href="#">H2317X300</a>	76,2	110	82
<a href="#">H2318X302</a>	79,375	120	86
<a href="#">H2318</a>	80	120	86
<a href="#">H2318X303</a>	80,962	120	86
<a href="#">H2318X304</a>	82,55	120	86
<a href="#">H2319</a>	85	125	90
<a href="#">H2319X306</a>	85,725	125	90
<a href="#">H2320X307</a>	87,313	130	97
<a href="#">H2320X308</a>	88,9	130	97
<a href="#">H2320</a>	90	130	97
<a href="#">H2320X310</a>	92,075	130	97
<a href="#">H2320X311</a>	93,663	130	97
<a href="#">H2321</a>	95	140	101
<a href="#">H2322X312</a>	95,25	145	105
<a href="#">H2322X314</a>	98,425	145	105
<a href="#">H2322</a>	100	145	105
<a href="#">H2322X315</a>	100,012	145	105
	<b>d<sub>1H</sub></b> mm	<b>D<sub>m</sub></b> mm	<b>l</b> mm
<a href="#">H2322X400</a>	101,6	145	105
<a href="#">H2324X403</a>	106,363	155	112
<a href="#">H2324X404</a>	107,95	155	112
<a href="#">H2324</a>	110	155	112
<a href="#">H2326X407</a>	112,713	165	121
<a href="#">H2326X408</a>	114,3	165	121
<a href="#">H2326</a>	115	165	121
<a href="#">H2326X412</a>	120,65	165	121
<a href="#">H2328</a>	125	180	131
<a href="#">H2328X415</a>	125,412	180	131
<a href="#">H2328X500</a>	127	180	131
<a href="#">H2330X503</a>	131,763	195	139

<a href="#">H2330X504</a>	133,35	195	139
<a href="#">H2330</a>	135	195	139
<a href="#">H2332X507</a>	138,113	210	147
<a href="#">H2332X508</a>	139,7	210	147
<a href="#">H2332</a>	140	210	147
<a href="#">H2332-HG</a>	140	210	147
<a href="#">H2334-HG</a>	150	220	154
<a href="#">H2334</a>	150	220	154
	<b>d<sub>1H</sub></b> mm	<b>D<sub>m</sub></b> mm	<b>l</b> mm
<a href="#">H2336-HG</a>	160	230	161
<a href="#">H2336</a>	160	230	161
<a href="#">H2338</a>	170	240	169
<a href="#">H2338-HG</a>	170	240	169
<a href="#">H2340-HG</a>	180	250	176
<a href="#">H2340</a>	180	250	176
<a href="#">H2344X-HG</a>	200	280	186
<a href="#">H2344X</a>	200	280	186
<a href="#">H2348X</a>	220	300	199
<a href="#">H2348X-HG</a>	220	300	199
<a href="#">H2352X-HG</a>	240	330	211
<a href="#">H2352X</a>	240	330	211
<a href="#">H2356X-HG</a>	260	350	224
<a href="#">H2356X</a>	260	350	224
	<b>d<sub>1H</sub></b> mm	<b>D<sub>m</sub></b> mm	<b>l</b> mm